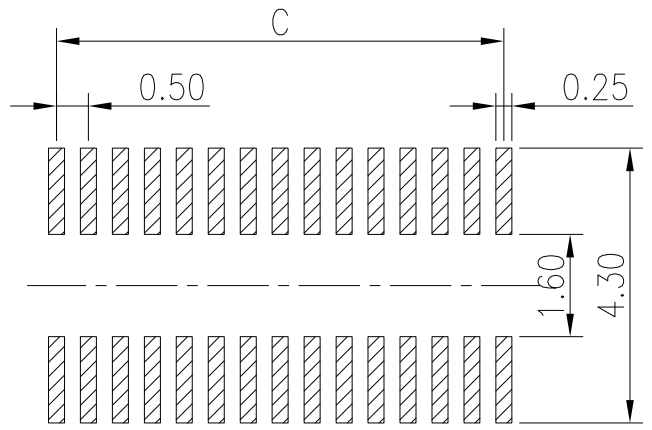
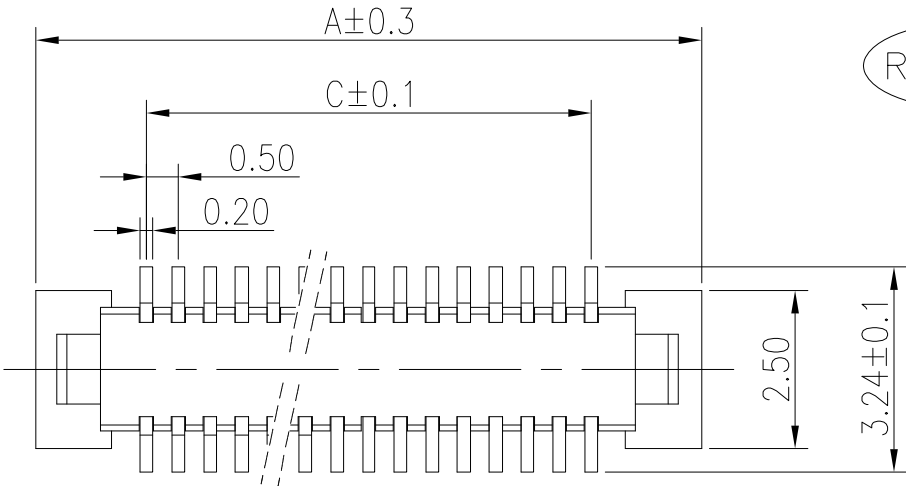
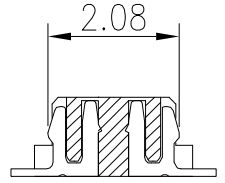
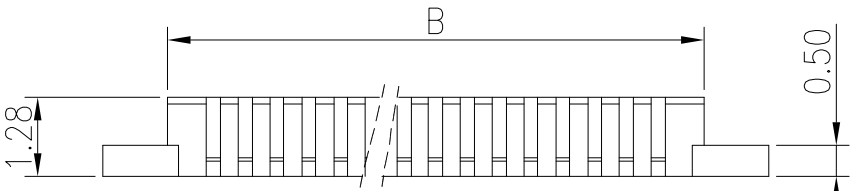


RoHS+HF



RECOMMENDED PCB PATTERN DIM.  
TOLERANCE : ±0.05



Specifications:  
 Rated Voltage : 50V AC  
 Rated Current : 0.5A AC,DC  
 Withstand Voltage : 200V AC/minute  
 Contact Resistance : 40mΩ(MAX.)  
 Insulation Resistance : 500MΩ(MIN.)  
 Temperature Range : -40°C~+105°C  
 Base:LCP UL94V-0  
 Pin Terminal: PHOSPHOR BRONZE/Gold flash  
 OVERALL 50~100U" NICKEL UNDER PLATED.  
 The product using material and processing  
 must conform to the "WI-PZ-142" HSF  
 technical standard control requirements

P/N:  
 SERIES NO: B0501 12 M 0-2 XX 2 X X 01  
 HEIGHT: 12-1.28H  
 MALE FEMALE: M-MALE  
 ANGLE: 0-180°  
 ROW NO: 2-DOUBLE ROW  
 PIN Q'PY: 10~80pin  
 COLOR:  
 A-BLACK  
 K-WHITE  
 S-NATURE  
 PLATING:  
 A-ALL AU G/F  
 C-BRIGHE TIN  
 D-MATTE Tin  
 TERMIPOINT:  
 2-SMT

PIN	A	B	C	PIN	A	B	C
10	5.50	3.40	2.00	50	15.50	13.40	12.0
12	6.00	3.90	2.50	52	16.00	13.90	12.5
14	6.50	4.40	3.00	54	16.50	14.40	13.0
16	7.00	4.90	3.50	56	17.00	14.90	13.5
18	7.50	5.40	4.00	58	17.50	15.40	14.0
20	8.00	5.90	4.50	60	18.00	15.90	14.5
22	8.50	6.40	5.00	62	18.50	16.40	15.0
24	9.00	6.90	5.50	64	19.00	16.90	15.5
26	9.50	7.40	6.00	66	19.50	17.40	16.0
28	10.00	7.90	6.50	68	20.00	17.90	16.5
30	10.50	8.40	7.00	70	20.50	18.40	17.0
32	11.00	8.90	7.50	72	21.00	18.90	17.5
34	11.50	9.40	8.00	74	21.50	19.40	18.0
36	12.00	9.90	8.50	76	22.00	19.90	18.5
38	12.50	10.40	9.00	78	22.50	20.40	19.0
40	13.00	10.90	9.50	80	23.00	20.90	19.5
42	13.50	11.40	10.00				
44	14.00	11.90	10.50				
46	14.50	12.40	11.00				
48	15.00	12.90	11.50				

REV.	REVISION RECORD	DATE	UNIT: mm	GENERAL TOLERANCES		SCALE: 1:1	NAME	DATE	PART. NO:	DWG. NO:	WanLian Teconology Co., Ltd
A0	NEW RELEASE	21.03.10		SIZE: A4	LINEAR	ANGLES	APPROVED	Wang_jr	21.03.10	B050112M0-2XX2XX01	
				0.00±0.25	X° ±3°	DESIGNER	Ding_bo	21.03.10	TITLE: Board to Board Pitch0.5 H1.28 SMT MALE		REV: A0 SHEET: 1/2
				0.000±0.10	X° X'±2°	DRAWN	HXY	21.03.10			

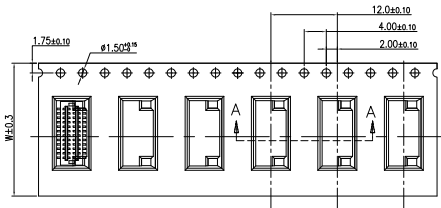


RoHS+HF

NOTE:

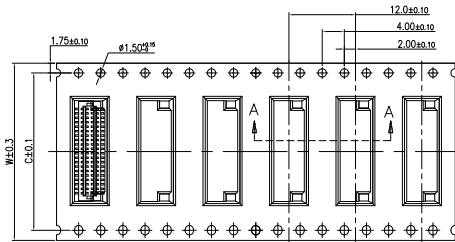
- 1.10 Sprocket hole pitch cumulative tolerance  $\pm 0.20$ .
- 2.Carrier camber is within 1mm in 100mm.
- 3.Material: black conductive polystyrene alloy.
- 4.Material Thickness:  $0.3 \pm 0.05$ mm.
- 5.All dimensions meet EIA-481-B requirements.
- 6.5000pcs Pef Reel.
- 7.For tape width(dim W)16 and 24mm pilot holes are provided on one sides.  
For tape width(dim W)32, 44 and 56mm pilot holes are provided on both sides.

Tape width 16 and 24 mm

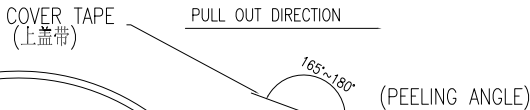


PULL OUT DIRECTION

Tape width 32 and 56 mm

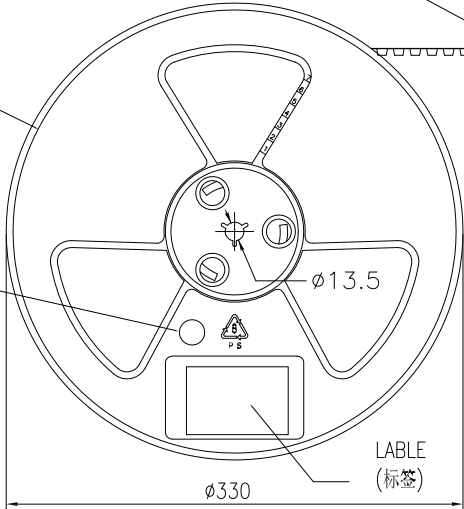


PULL OUT DIRECTION



REEL (胶盘)

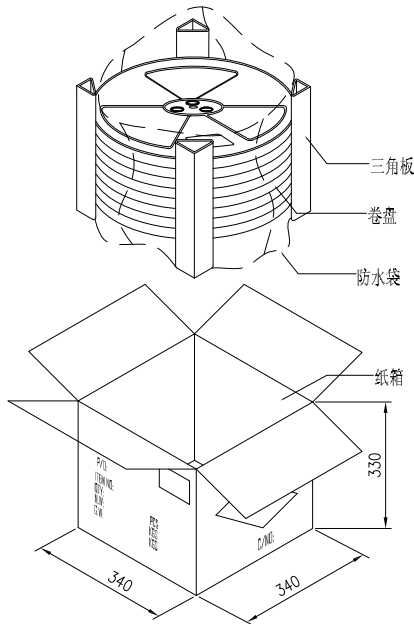
GP LABEL (环保标签) (1PCS)




SAFE TAPE (安全带L=1750mm Ref)

SCALE 1:4

W14



PIN NO.	W	C	PCS /REEL	REEL/CARTON	SUM(PCS)
4PIN~14PIN	16	-	1000	15	15000
16PIN~34PIN	24	-	1000	10	10000
36Pin~44PIN	32	28.4	1000	8	8000
46Pin~740PIN	44	40.4	1000	6	6000

REV.	REVISION RECORD	DATE	GENERAL TOLERANCES		SCALE:	NAME	DATE	PART. NO:	DWG. NO:	 WanLian Teconology Co., Ltd
A0	NEW RELEASE	21. 03. 10	LINEAR	ANGLES	1:1	Wang_jr	21. 03. 10		ENDE05	
			0.0±0.35	X° REF±6°		DESIGNER	Ding_bo	21. 03. 10		TITLE: BQARD TO BQARD EMBOSSED TAPE PACKING
			0.00±0.25	X° ±3°		DRAWN	HXY	21. 03. 10		
			UNIT: mm							REV: A0
			SIZE: A4	0.000±0.10	X° X'±2°					SHEET: 2/2